

# TPT-64G

60 MAGICLOTUS  
GAS SOLID TOP - TOP



Solid top - Plate cm 37x50



**Construction** - Fabricated using CrNi 18/10 AISI 304 grade Stainless Steel Scotch-Brite Satin polish Finish, incorporating 1mm thick worktop, rounded edges, chromed details and rear splash back. Knobs with waterproof grades IPX5. **Model** - Professional Gas Solid Top. Piezoelectric ignition with pilot light, 15mm thick steel top for the best in heat conductivity including thermocouple safety valves. Burners with piezoelectric ignition, taps with thermocouple safety valve. Modulating flame burners, cast iron grills, with removable liquid collectors. **Maintenance** - All serviceable parts are accessible by the easy removal of front control panel. **Fittings** - Appliance is supplied with both LPG and Natural Gas conversion jets and adjustable feet.



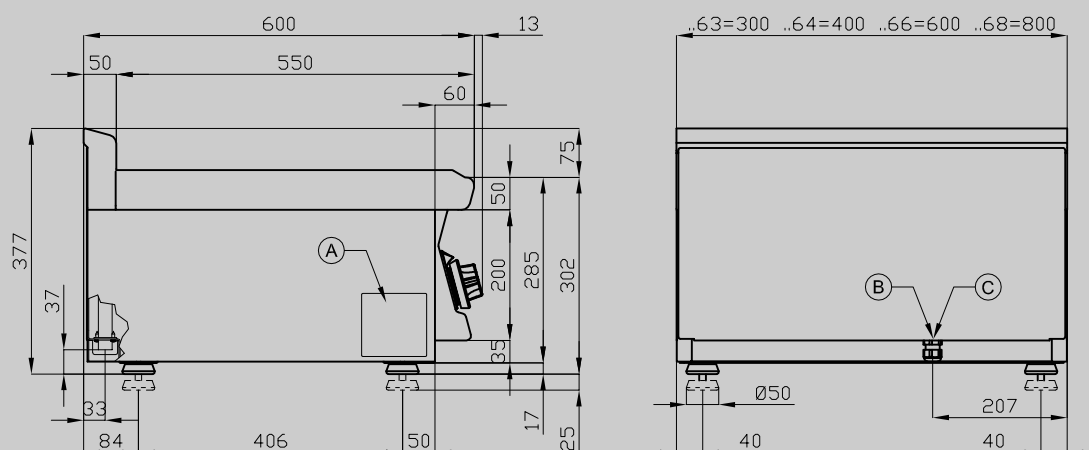
ITALIAN CULINARY ART

The pictures are purely representative. The manufacturer reserves the right to modify the technical data and models without previous notice.

# TPT-64G

60 MAGICLOTUS

GAS SOLID TOP - TOP



A	Data plate	C	Gas connection	ISO 7-1 1/2" M
---	------------	---	----------------	----------------

MODEL: TPT-64G  
DIMENSIONS: cm. 40x 60x 28h  
GAS POWER: 5,5 kW / 4.730 kcal/h  
GAS TYPE: Natural Gas / LPG



kg: 54  
m<sup>3</sup>: 0.193  
mm: 430x690x650

BUY LOTUS BUY ITALY

The pictures are purely representative. The manufacturer reserves the right to modify the technical data and models without previous notice.



LOTUS S.P.A. Via Calmaor, 46  
31020 San Vendemiano(TV) - Italy  
Tel. + 39 0438 778020 / 778468  
Fax + 39 0438 778277  
www.lotuscookers.it - lotus@lotuscookers.it