

# CPT-66G

60 MAGICLOTUS

GAS PASTA COOKERS - TOP



Gas pasta cookers Tank capacity 19 lts. Tank  
cm. 51x31x18h. Drain-tap (BASKETS  
EXCLUDED)



Construction -Fabricated using CrNi 18/10 AISI 304 grade Stainless Steel Scotch-Brite Satin polish Finish, incorporating 1 mm thick worktop, rounded edges, chrome details and rear splash back. Tank fabricated in AISI 316. Knobs with waterproof grades IPX5. Model - Professional Gas Pasta Cooker with single tank incorporating built in and floor drain. Perforated pasta baskets with safety handles, available in different sizes for multiple product cooking. Front water drainage tap. Piezoelectric ignition, pilot light. Thermocouple safety valves,safety thermostat. Maintenance - All serviceable parts are accessible by the easy removal of front control panel. Fittings - Appliance is supplied with both LPG and Natural Gas conversion jets and adjustable feet.



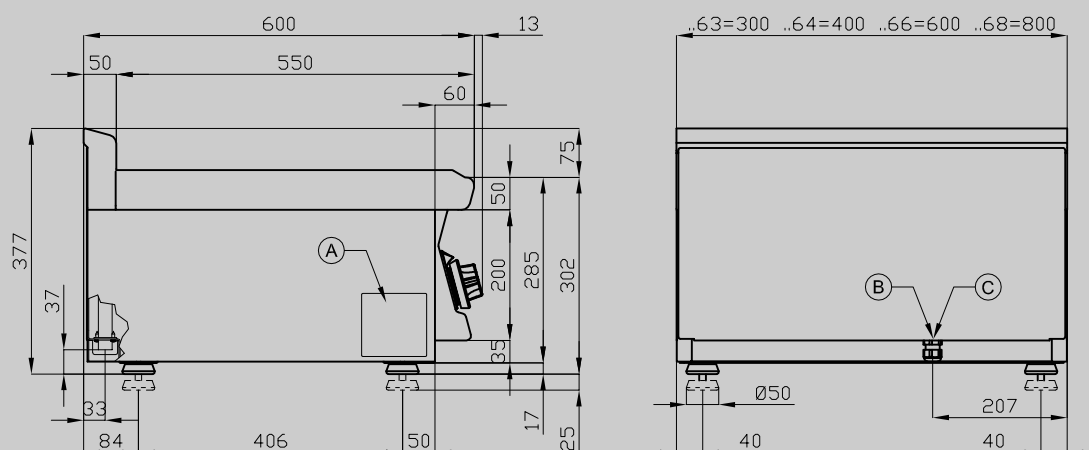
ITALIAN CULINARY ART

The pictures are purely representative. The manufacturer reserves the right to modify the technical data and models without previous notice.

# CPT-66G

60 MAGICLOTUS

GAS PASTA COOKERS - TOP



A	Data plate	C	Gas connection	ISO 7-1 1/2" M
---	------------	---	----------------	----------------

MODEL: CPT-66G  
DIMENSIONS: cm. 60x 60x 28h  
GAS POWER: 9 kW / 7.740 kcal/h  
GAS TYPE: Natural Gas / LPG



kg: 45  
m<sup>3</sup>: 0.283  
mm: 630x690x650

BUY LOTUS BUY ITALY

The pictures are purely representative. The manufacturer reserves the right to modify the technical data and models without previous notice.



LOTUS S.P.A. Via Calmaor, 46  
31020 San Vendemiano (TV) - Italy  
Tel. + 39 0438 778020 / 778468  
Fax + 39 0438 778277  
www.lotuscookers.it - lotus@lotuscookers.it