

FTLT-610GS

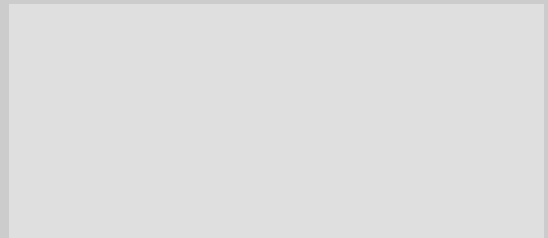
60 MAGICLOTUS GAS GRIDDLE - TOP



Gas Fry-top smooth chromed griddle
SUPERCHROME (Moca Approved), plate
cm.99,5x45 - 2 cooking areas



Construction - Fabricated using CrNi 18/10 AISI 304 grade Stainless Steel Scotch-Brite Satin polish Finish, incorporating 2,5mm thick worktop, rounded edges, chromed details and rear splash back. Knobs with waterproof grades IPX5. Model - Professional Gas Griddle, Smooth, Ribbed or 50 / 50, Normal or Chrome. Normal Plate in FE430B Steel and Chrome in FE510C Steel. High durability and rapid heat up. Burners with Piezoelectric ignition and pilot light, 50 - 300degC control, thermostatic and thermocouple safety valves, Removable liquid containers.
Maintenance - All serviceable parts are accessible by the easy removal of front control panel. Fittings - Appliance is supplied with both LPG and Natural Gas conversion jets and adjustable feet.

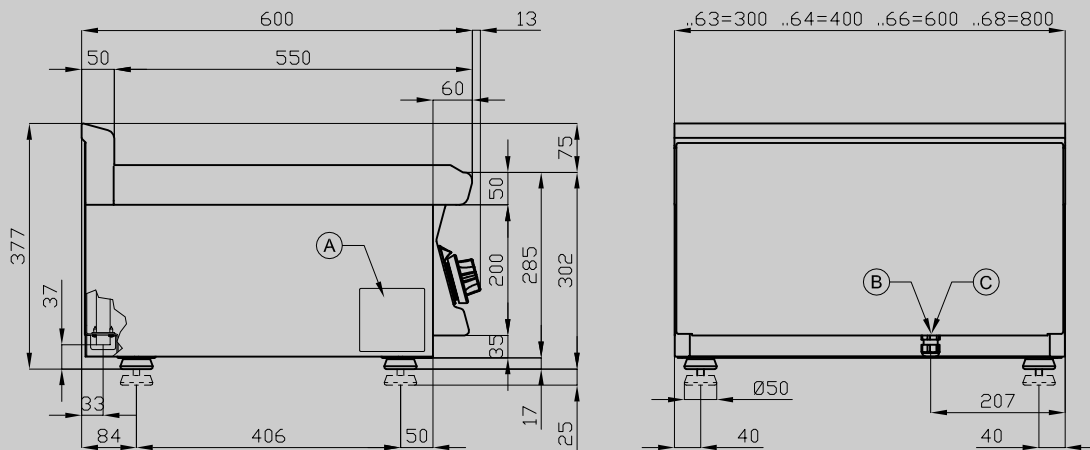


ITALIAN CULINARY ART

The pictures are purely representative. The manufacturer reserves the right to modify the technical data and models without previous notice.

FTLT-610GS

60 MAGICLOTUS
GAS GRIDDLE - TOP



| | | | | |
|---|------------|---|----------------|----------------|
| A | Data plate | C | Gas connection | ISO 7-1 1/2" M |
|---|------------|---|----------------|----------------|

MODEL: FTLT-610GS
 DIMENSIONS: cm. 100x 60x 28h
 GAS POWER: 15 kW / 12.900 kcal/h
 GAS TYPE: Natural Gas / LPG



kg: 89
 m³: 0.462
 mm: 1030x690x650

BUY LOTUS BUY ITALY

The pictures are purely representative. The manufacturer reserves the right to modify the technical data and models without previous notice.



LOTUS S.P.A. Via Calmaor, 46
 31020 San Vendemiano (TV) - Italy
 Tel. + 39 0438 778020 / 778468
 Fax + 39 0438 778277
 www.lotuscookers.it - lotus@lotuscookers.it