

BMT-64EM

60 MAGICLOTUS

ELECTRIC BAIN MARIE - TOP



Bain marie singlephase Bowl for GN 1/2 +
GN 1/3 h=15



Construction - Fabricated using CrNi 18/10 AISI 304 grade Stainless Steel Scotch-Brite Satin polish Finish, incorporating 1mm thick worktop, rounded edges, chromed details and rear splash back. Knobs with waterproof grades IPX5. Model - Professional Electric Bain- Marie. Moulded Gastronome 150mm deep tank. Thermostatic control.

Maintenance - All serviceable parts are accessible by the easy removal of front control panel. Fittings - Appliance is supplied with adjustable feet, Front water drainage tap.



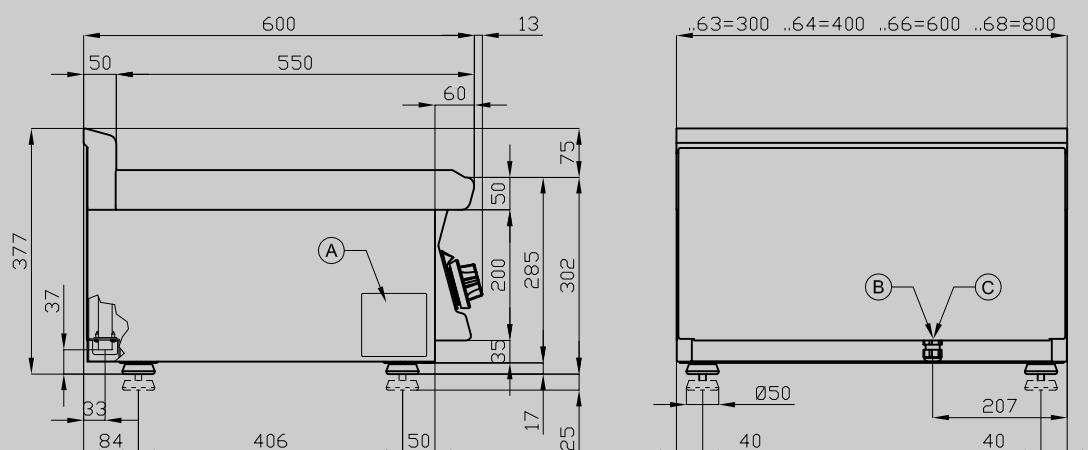
ITALIAN CULINARY ART

The pictures are purely representative. The manufacturer reserves the right to modify the technical data and models without previous notice.

BMT-64EM

60 MAGICLOTUS

ELECTRIC BAIN MARIE - TOP



A	Data plate	B	Electrical connection
---	------------	---	-----------------------

MODEL: BMT-64EM
DIMENSIONS: cm. 40x 60x 28h
ELECTRIC POWER: 1,65 kW
VOLTAGE: 230V~
FREQUENCY: 50/60 Hz



kg: 21
m³: 0.193
mm: 430x690x650

BUY LOTUS BUY ITALY

The pictures are purely representative. The manufacturer reserves the right to modify the technical data and models without previous notice.



LOTUS S.P.A. Via Calmaor, 46
31020 San Vendemiano (TV) - Italy
Tel. + 39 0438 778020 / 778468
Fax + 39 0438 778277
www.lotuscookers.it - lotus@lotuscookers.it