

# PLT-62

60 MAGICLOTUS  
WORK TOP - TOP



Worktop



Construction - Fabricated using CrNi 18/10 AISI 304 grade Stainless Steel Scotch-Brite Satin polish Finish, incorporating 1mm thick worktop, rounded edges, chromed details and rear splash back. Model - Professional worktop with or without drawer . Fittings - Adjustable feet.

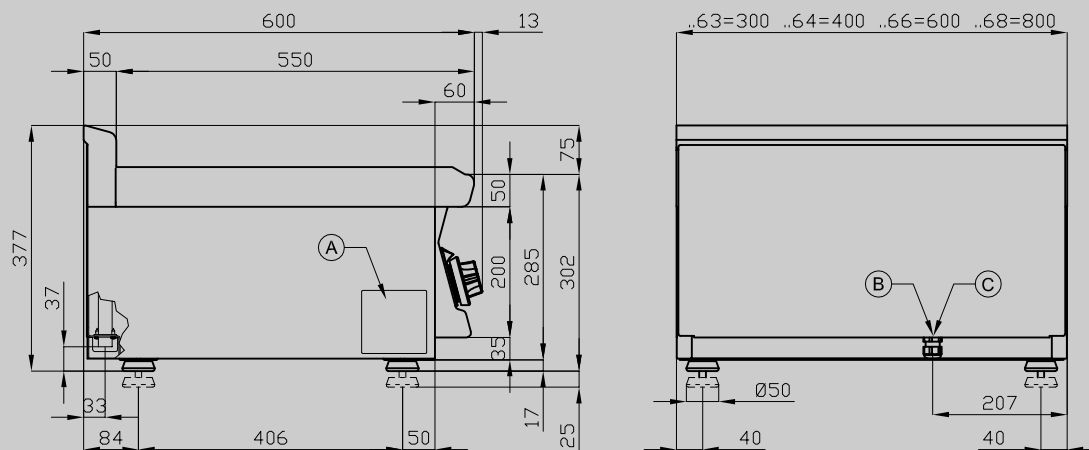


ITALIAN CULINARY ART

The pictures are purely representative. The manufacturer reserves the right to modify the technical data and models without previous notice.

# PLT-62

60 MAGICLOTUS  
WORK TOP - TOP



A	Data plate				
---	------------	--	--	--	--

MODEL: PLT-62  
DIMENSIONS: cm. 20x 60x 28h



kg: 13  
m<sup>3</sup>: 0.148  
mm: 330x690x650

BUY LOTUS BUY ITALY

The pictures are purely representative. The manufacturer reserves the right to modify the technical data and models without previous notice.



LOTUS S.P.A. Via Calmaor, 46  
31020 San Vendemiano (TV) - Italy  
Tel. + 39 0438 778020 / 778468  
Fax + 39 0438 778277  
www.lotuscookers.it - lotus@lotuscookers.it