

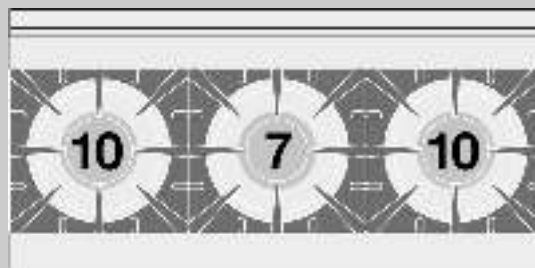
CF3-512GV

55 IPERLOTUS GAS COOKERS

Gas range - N. 3 burners - Gas static oven with grill cm. 67x38x34h, temp: 50÷250°C, with 1 grid cm.65x36 - Neutral cabinet with door



Construction - Fabricated using CrNi 18/10 AISI 304 grade Stainless Steel Scotch-Brite Satin polish Finish, incorporating 1mm thick worktop, rounded edges, chromed details and rear splash back. Knobs with waterproof grades IPX5. Model - Professional Gas Cooker with 2/3 burners and static gas oven. Burners with pilot light ignition and thermocouple safety valves. Modulating flame burners, grills in cast iron, removable liquid collectors. Spacious oven with wide door, piezoelectric ignition, fitted with gas grill and timer. Flue at rear, complete with safety devices. Maintenance - All serviceable parts are accessible by the easy removal of front control panel and liquid collectors. Fittings - Appliance is supplied with both LPG and Natural Gas conversion jets and adjustable feet.

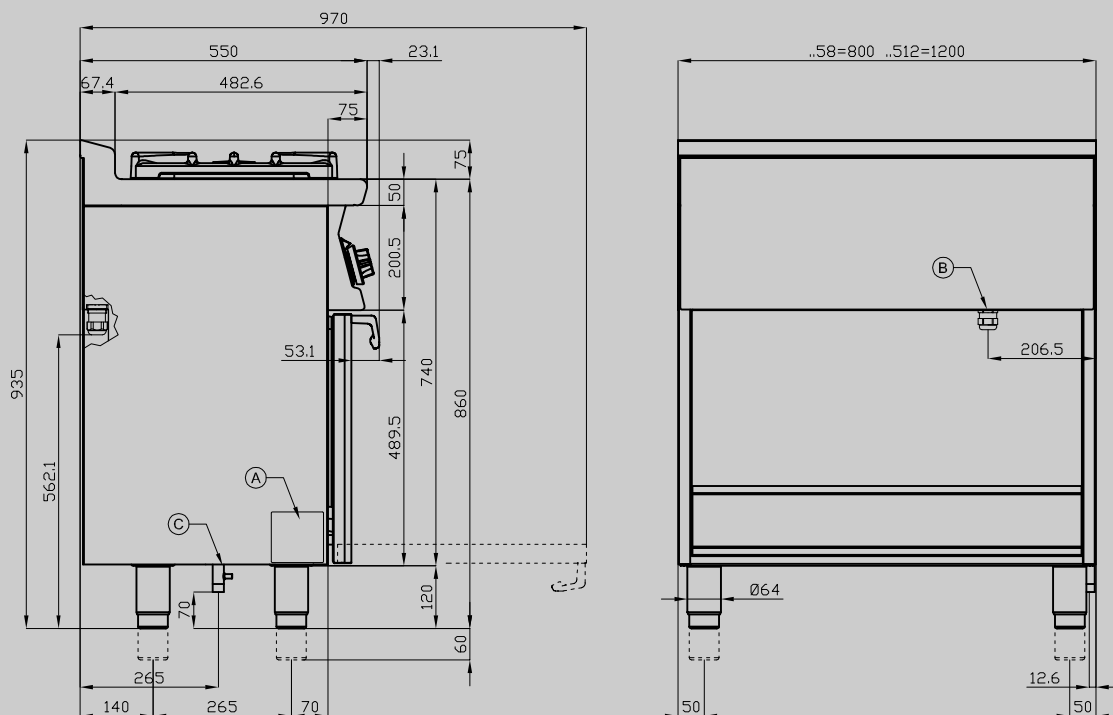


ITALIAN CULINARY ART

The pictures are purely representative. The manufacturer reserves the right to modify the technical data and models without previous notice.

CF3-512GV

55 IPERLOTUS
GAS COOKERS



A	Data plate	C	Gas connection	ISO 7-1 1/2" M
---	------------	---	----------------	----------------

MODEL: CF3-512GV
 DIMENSIONS: cm. 120x 55x 90h
 GAS POWER: 31 kW / 26.660 kcal/h
 GAS TYPE: Natural Gas / LPG



kg: 150
 m³: 0.907
 mm: 1230x670x1100

BUY LOTUS BUY ITALY

The pictures are purely representative. The manufacturer reserves the right to modify the technical data and models without previous notice.



LOTUS S.P.A. Via Calmaor, 46
 31020 San Vendemiano (TV) - Italy
 Tel. + 39 0438 778020 / 778468
 Fax + 39 0438 778277
 www.lotuscookers.it - lotus@lotuscookers.it