

# SA-76/96

## 90 IPERLOTUS ACCESSORIES

Back cover

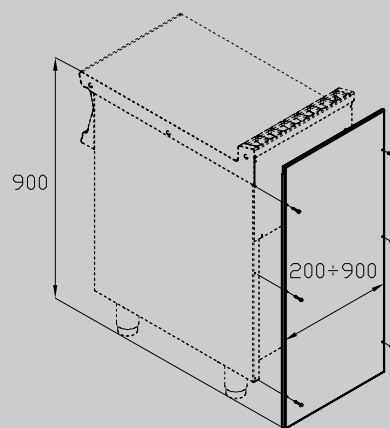
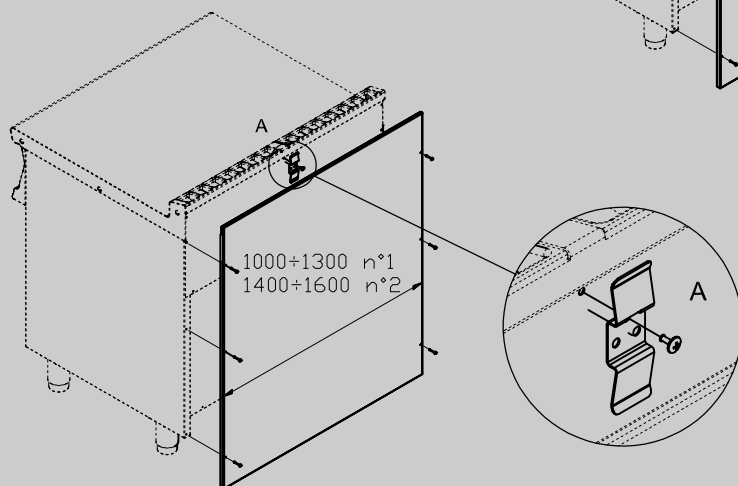
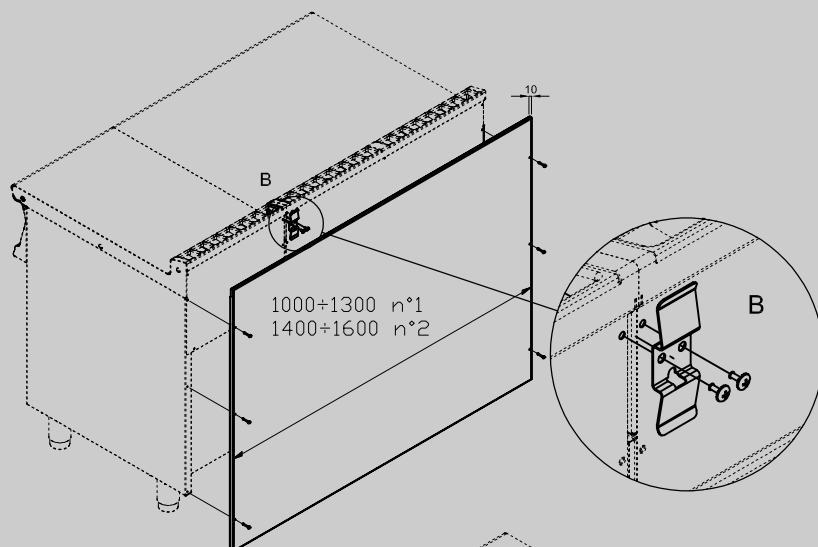
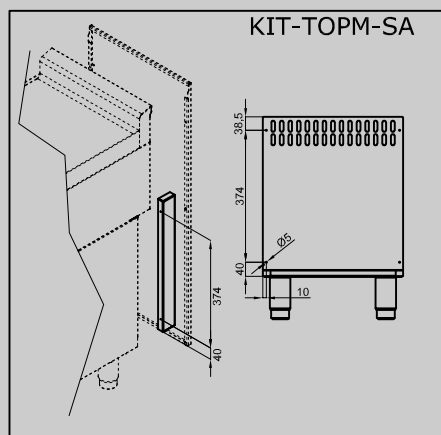


ITALIAN CULINARY ART

The pictures are purely representative. The manufacturer reserves the right to modify the technical data and models without previous notice.

# SA-76/96

## 90 IPERLOTUS ACCESSORIES



A	Data plate				
---	------------	--	--	--	--

MODEL: SA-76/96  
DIMENSIONS: cm. 60x 1,5x 97h



kg: 4  
m<sup>3</sup>: 0.018  
mm: 620x30x980

BUY LOTUS BUY ITALY

The pictures are purely representative. The manufacturer reserves the right to modify the technical data and models without previous notice.



LOTUS S.P.A. Via Calmaor, 46  
31020 San Vendemiano (TV) - Italy  
Tel. + 39 0438 778020 / 778468  
Fax + 39 0438 778277  
www.lotuscookers.it - lotus@lotuscookers.it