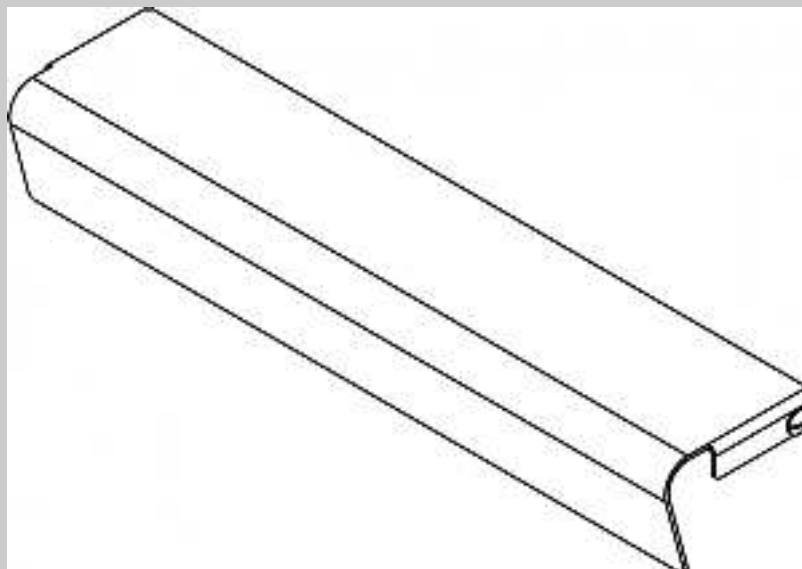


PFT-610

60 MAGICLOTUS
GRIDDLE ACCESSORIES

KIT front protection plan fry-top

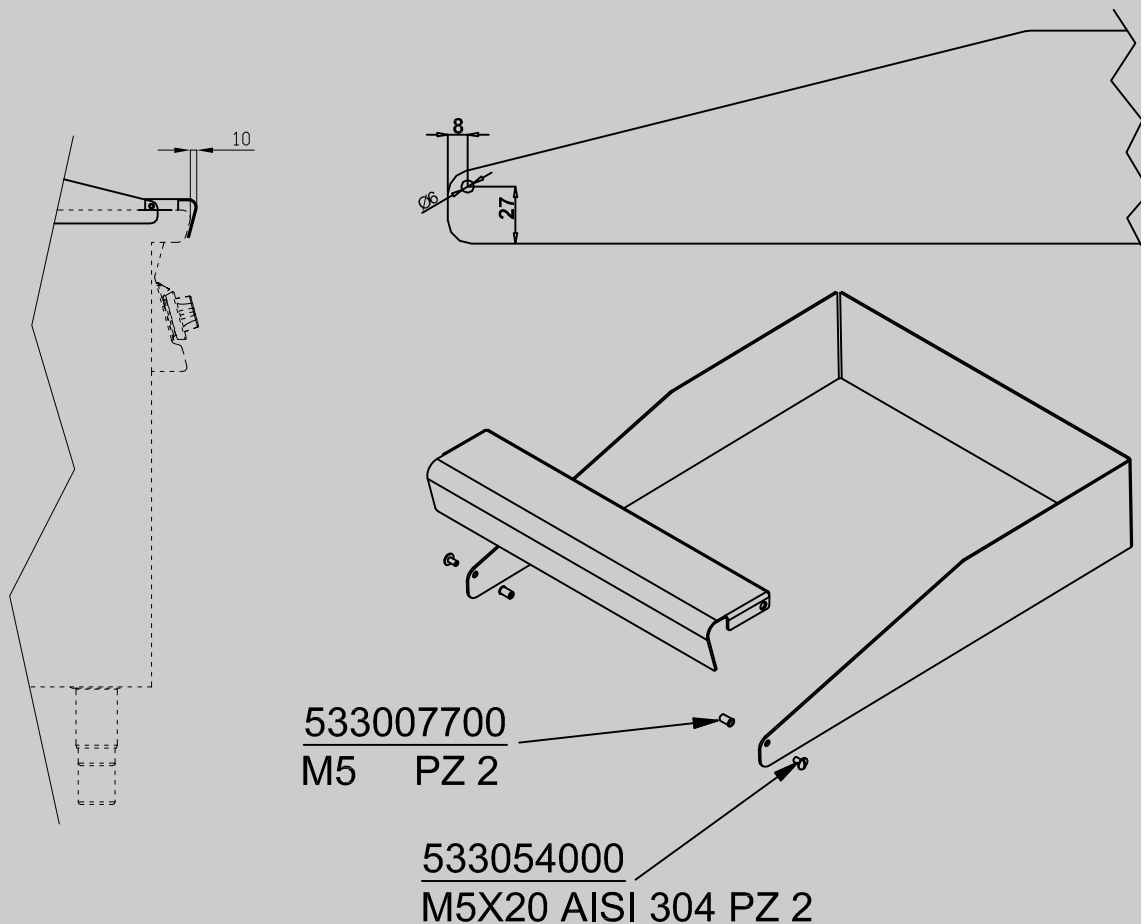


ITALIAN CULINARY ART

The pictures are purely representative. The manufacturer reserves the right to modify the technical data and models without previous notice.

PFT-610

60 MAGICLOTUS
GRIDDLE ACCESSORIES



A	Data plate				
---	------------	--	--	--	--

MODEL: PFT-610
DIMENSIONS: cm. 98x 8x 6h



kg: 5
m³: 0.01
mm: 1010x110x90

BUY LOTUS BUY ITALY

The pictures are purely representative. The manufacturer reserves the right to modify the technical data and models without previous notice.



LOTUS S.P.A. Via Calmaor, 46
31020 San Vendemiano (TV) - Italy
Tel. + 39 0438 778020 / 778468
Fax + 39 0438 778277
www.lotuscookers.it - lotus@lotuscookers.it