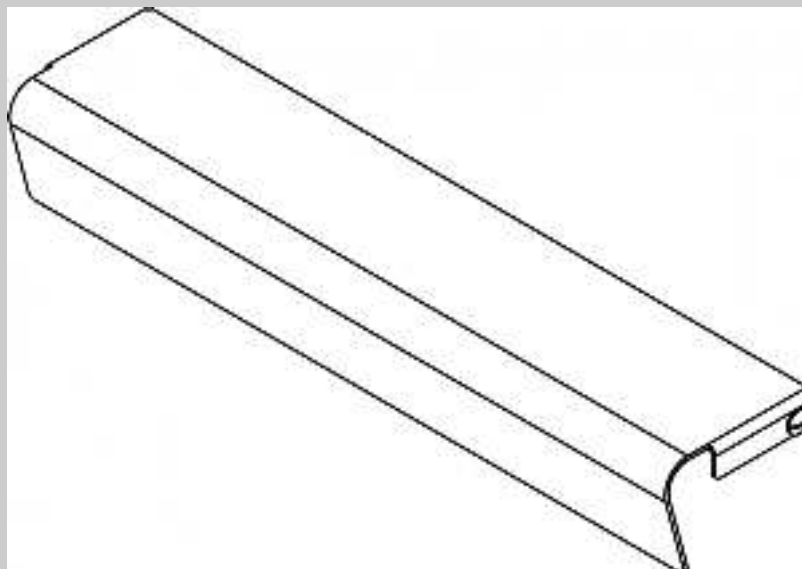


# PFT-64

## 60 MAGICLOTUS GRIDDLE ACCESSORIES

KIT front protection plan fry-top

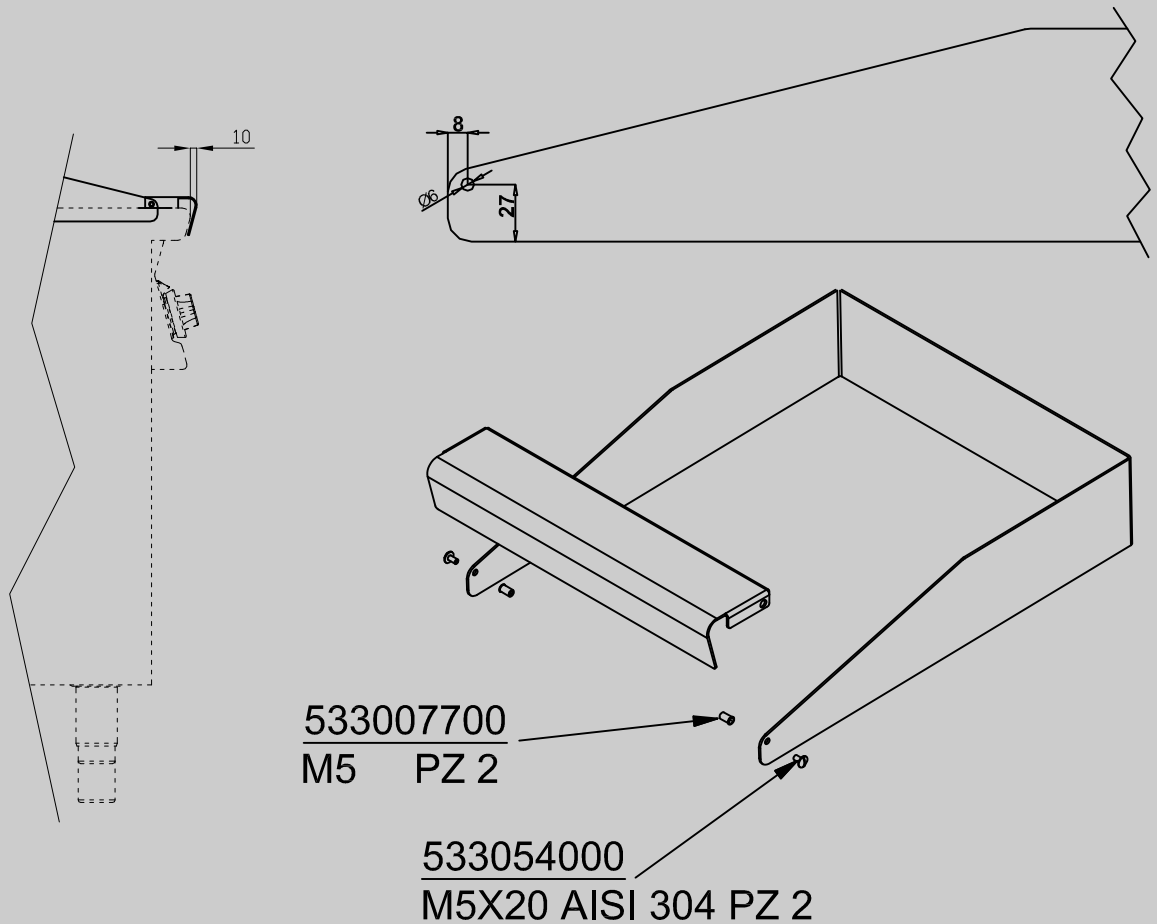


ITALIAN CULINARY ART

The pictures are purely representative. The manufacturer reserves the right to modify the technical data and models without previous notice.

# PFT-64

60 MAGICLOTUS  
GRIDDLE ACCESSORIES



A	Data plate				
---	------------	--	--	--	--

MODEL: PFT-64  
DIMENSIONS: cm. 38x 8x 6h



kg: 2  
m<sup>3</sup>: 0.004  
mm: 410x110x90

BUY LOTUS BUY ITALY

The pictures are purely representative. The manufacturer reserves the right to modify the technical data and models without previous notice.



LOTUS S.P.A. Via Calmaor, 46  
31020 San Vendemiano (TV) - Italy  
Tel. + 39 0438 778020 / 778468  
Fax + 39 0438 778277  
www.lotuscookers.it - lotus@lotuscookers.it