

MFM-68EM

60 MAGICLOTUS STAND WITH ELECTRIC OVEN



Stand with Multifunction electric oven cm.
46x37x35h, temp: 50÷250°C, with 1 grid
cm.41x32,5 - Glass door (no induction top)



Construction - Fabricated using CrNi 18/10 AISI 304 grade Stainless Steel
Scotch-Brite Satin polish Finish, rounded edges and chromed details.
Knobs with waterproof grades IPX5. Model - Professional Stand with
Electric Multifunction Oven. Fittings - Appliance is supplied with
adjustable feet. Lid not included.

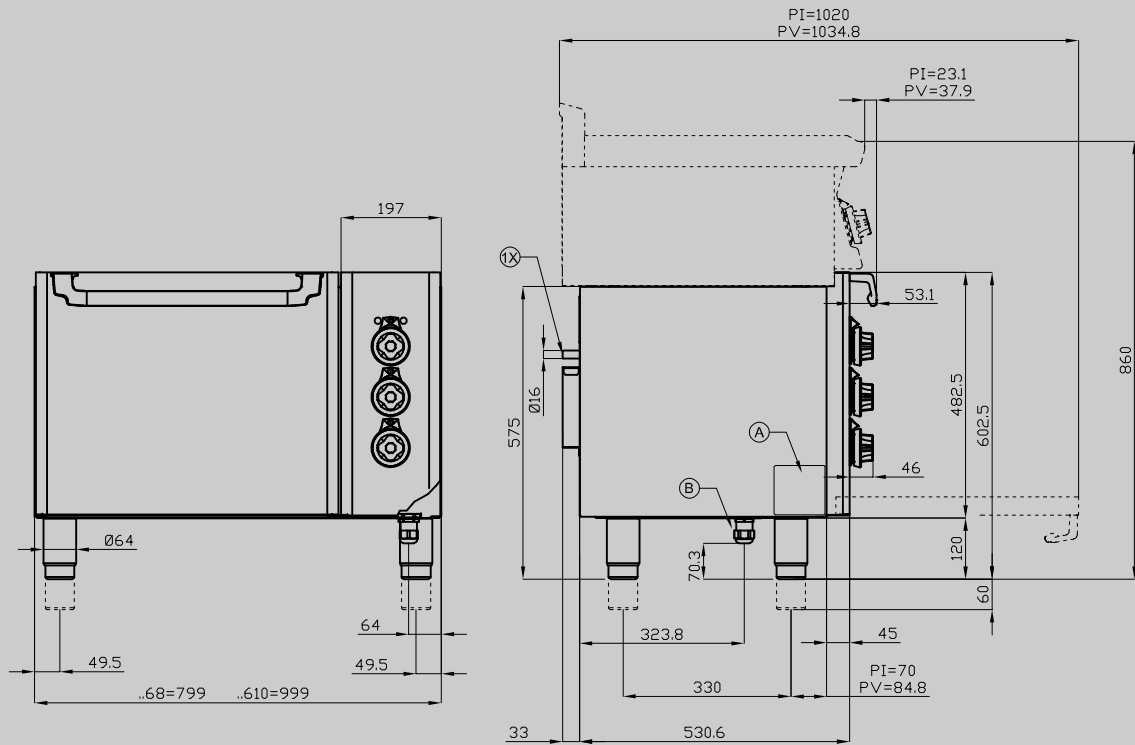


ITALIAN CULINARY ART

The pictures are purely representative. The manufacturer reserves the right to modify the technical data and models without previous notice.

MFM-68EM

60 MAGICLOTUS
STAND WITH ELECTRIC OVEN



A	Data plate		B	Electrical connection	
---	------------	--	---	-----------------------	--

MODEL: MFM-68EM
DIMENSIONS: cm. 80x 57,5x 57h
ELECTRIC POWER: 3,05 kW
VOLTAGE: 230V~
FREQUENCY: 50/60 Hz



kg: 51
m³: 0.428
mm: 830x670x770

BUY LOTUS BUY ITALY

The pictures are purely representative. The manufacturer reserves the right to modify the technical data and models without previous notice.



LOTUS S.P.A. Via Calmaor, 46
31020 San Vendemiano (TV) - Italy
Tel. + 39 0438 778020 / 778468
Fax + 39 0438 778277
www.lotuscookers.it - lotus@lotuscookers.it