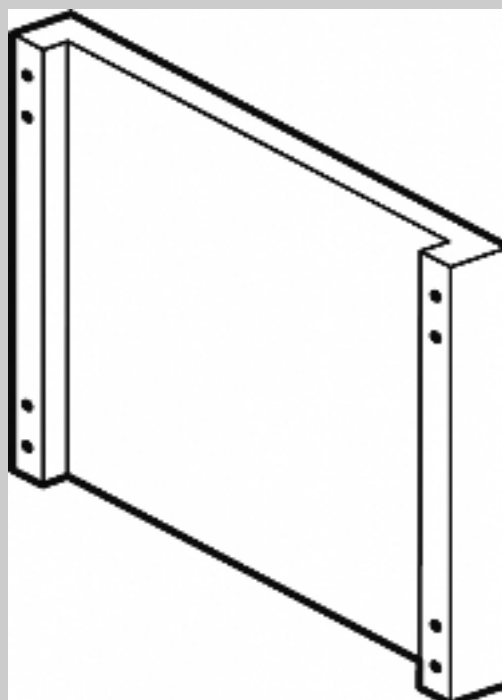


D-60

60 MAGICLOTUS ACCESSORIES

Spacer - For installation of a C-64 on a stand
70/80

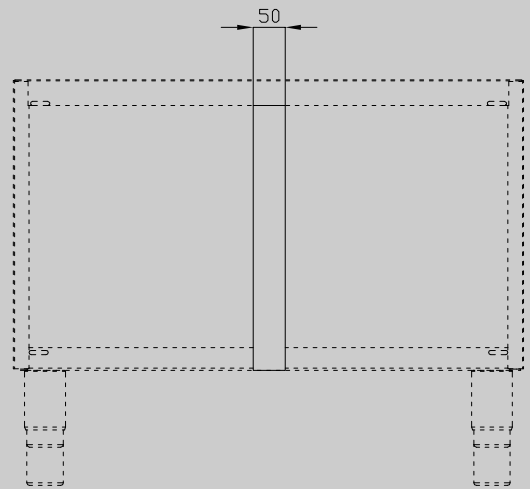
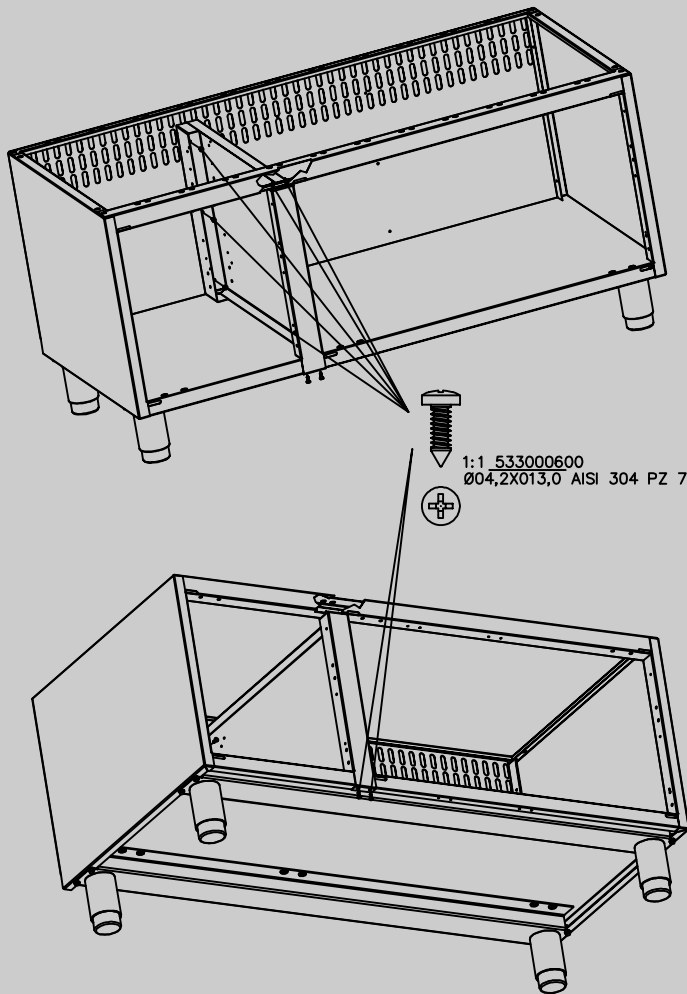


ITALIAN CULINARY ART

The pictures are purely representative. The manufacturer reserves the right to modify the technical data and models without previous notice.

D-60

60 MAGICLOTUS ACCESSORIES



A	Data plate				
---	------------	--	--	--	--

MODEL:

D-60

DIMENSIONS:

cm. 5x 48x 38h



kg: 2
m³: 0.015
mm: 70x500x440

BUY LOTUS BUY ITALY

The pictures are purely representative. The manufacturer reserves the right to modify the technical data and models without previous notice.



LOTUS S.P.A. Via Calmaor, 46
31020 San Vendemiano(TV) - Italy
Tel. + 39 0438 778020 / 778468
Fax + 39 0438 778277
www.lotuscookers.it - lotus@lotuscookers.it