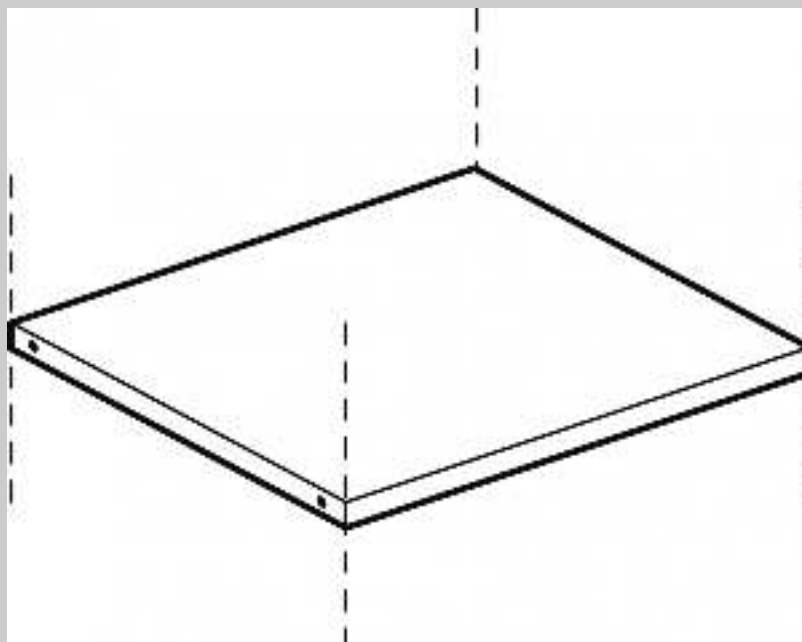


# R-66

## 60 MAGICLOTUS ACCESSORIES

Shelf 600

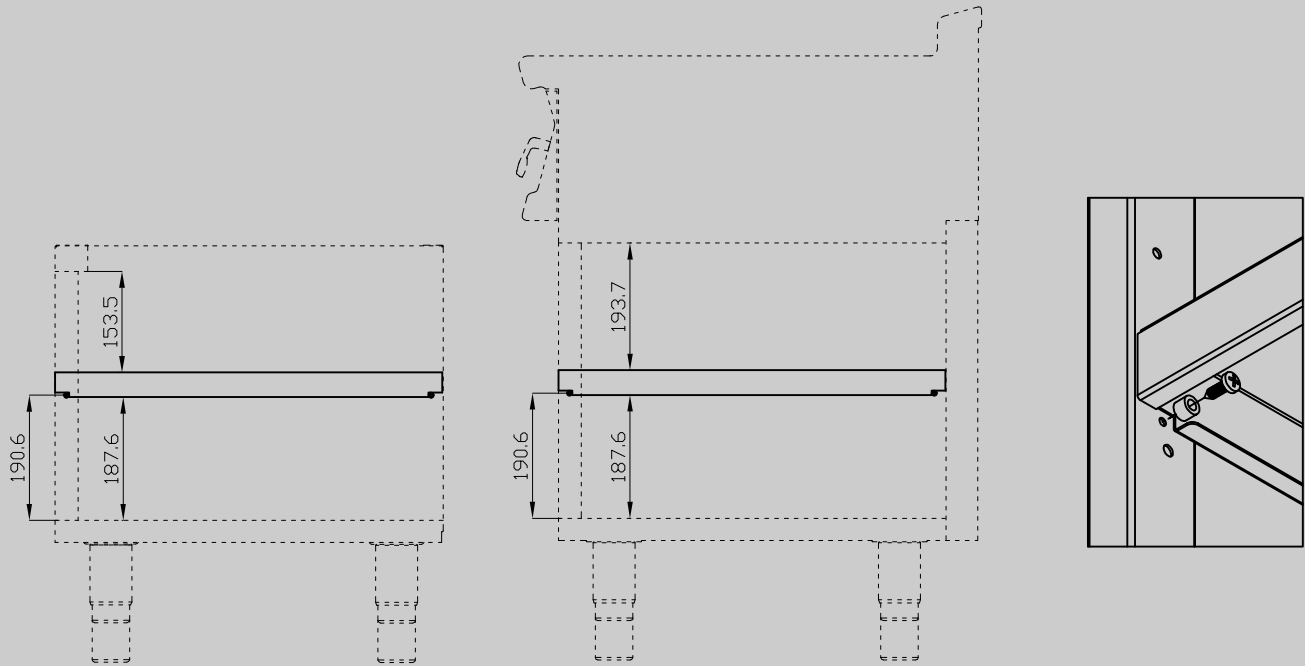


ITALIAN CULINARY ART

The pictures are purely representative. The manufacturer reserves the right to modify the technical data and models without previous notice.

# R-66

## 60 MAGICLOTUS ACCESSORIES



A	Data plate				
---	------------	--	--	--	--

MODEL:

R-66

DIMENSIONS:

cm. 55x 48x 2h



kg: 3  
m<sup>3</sup>: 0.011  
mm: 570x500x40

BUY LOTUS BUY ITALY

The pictures are purely representative. The manufacturer reserves the right to modify the technical data and models without previous notice.



LOTUS S.P.A. Via Calmaor, 46  
31020 San Vendemiano(TV) - Italy  
Tel. + 39 0438 778020 / 778468  
Fax + 39 0438 778277  
www.lotuscookers.it - lotus@lotuscookers.it