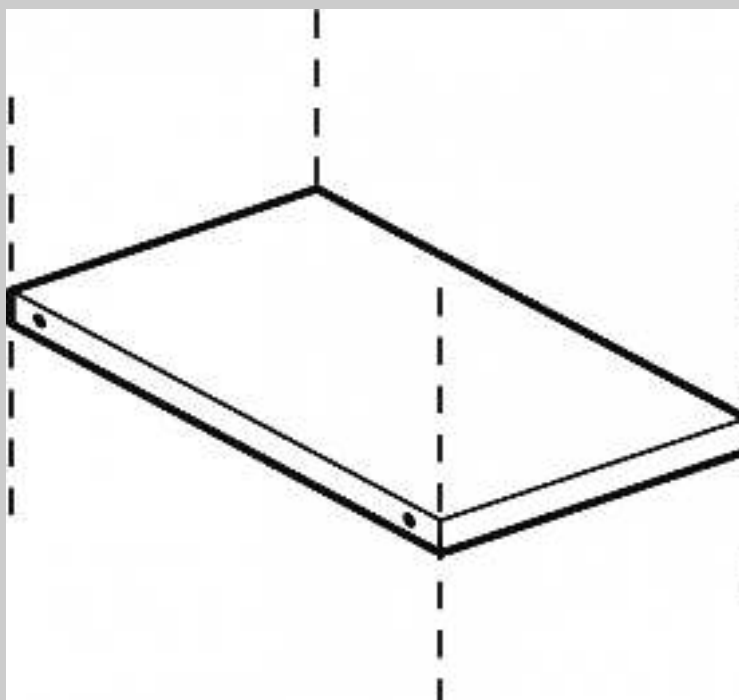


R-64

60 MAGICLOTUS ACCESSORIES

Shelf 400

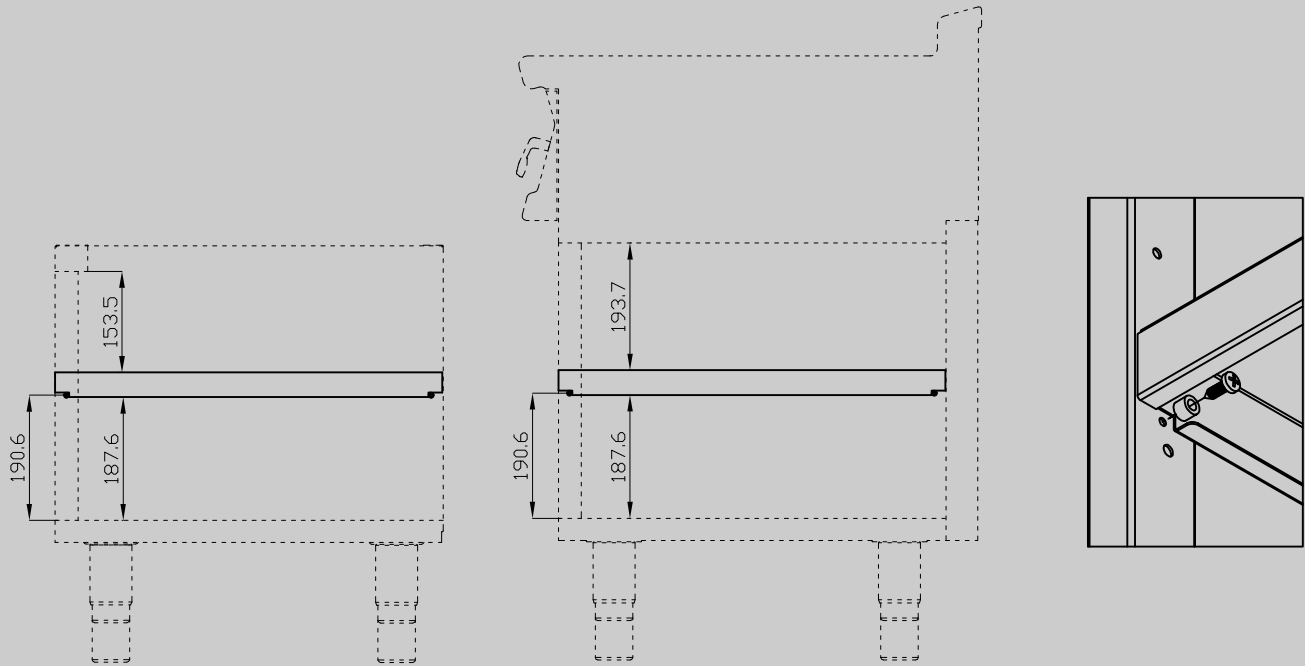


ITALIAN CULINARY ART

The pictures are purely representative. The manufacturer reserves the right to modify the technical data and models without previous notice.

R-64

60 MAGICLOTUS ACCESSORIES



A	Data plate				
---	------------	--	--	--	--

MODEL:

R-64

DIMENSIONS:

cm. 35x 48x 2h



kg: 2,5
m³: 0.007
mm: 370x500x40

BUY LOTUS BUY ITALY

The pictures are purely representative. The manufacturer reserves the right to modify the technical data and models without previous notice.



LOTUS S.P.A. Via Calmaor, 46
31020 San Vendemiano(TV) - Italy
Tel. + 39 0438 778020 / 778468
Fax + 39 0438 778277
www.lotuscookers.it - lotus@lotuscookers.it