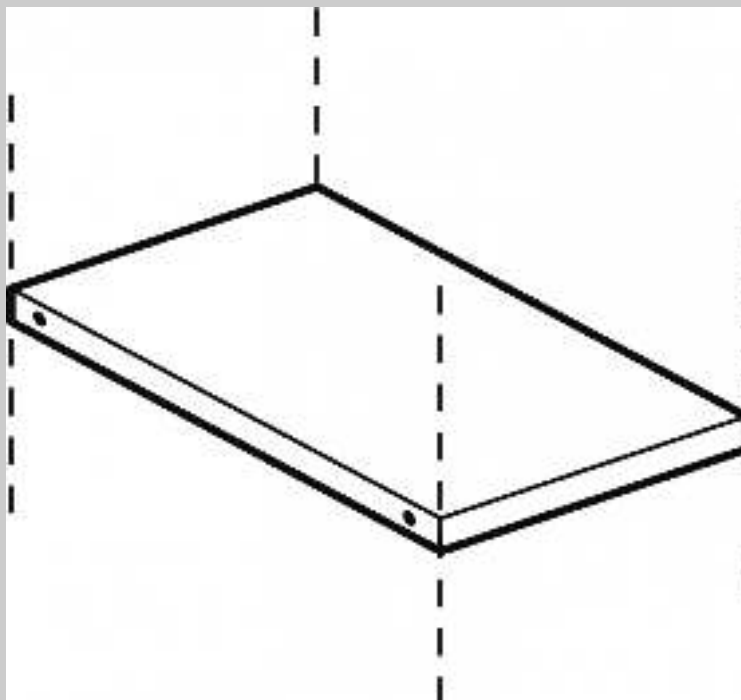


# R-63

## 60 MAGICLOTUS ACCESSORIES

Shelf 300

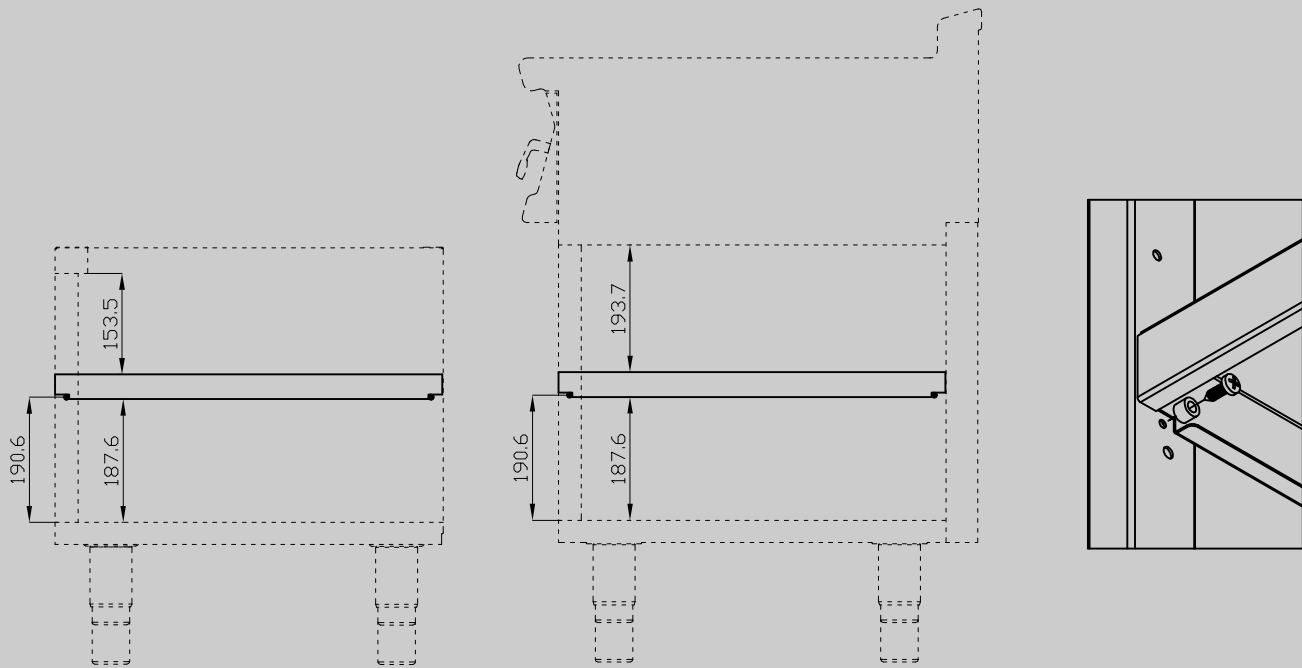


ITALIAN CULINARY ART

The pictures are purely representative. The manufacturer reserves the right to modify the technical data and models without previous notice.

# R-63

## 60 MAGICLOTUS ACCESSORIES



A	Data plate				
---	------------	--	--	--	--

MODEL:

R-63

DIMENSIONS:

cm. 25x 48x 2h



kg: 1,5  
m<sup>3</sup>: 0.005  
mm: 270x500x40

BUY LOTUS BUY ITALY

The pictures are purely representative. The manufacturer reserves the right to modify the technical data and models without previous notice.



LOTUS S.P.A. Via Calmaor, 46  
31020 San Vendemiano(TV) - Italy  
Tel. + 39 0438 778020 / 778468  
Fax + 39 0438 778277  
www.lotuscookers.it - lotus@lotuscookers.it