

C-66

60 MAGICLOTUS ACCESSORIES

Drawer set 300/400/600 - N. 2 drawers with
inox pans, telescopic guides

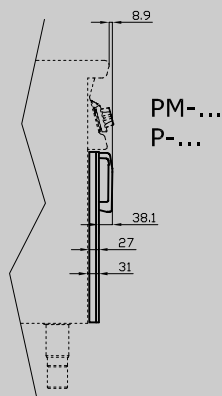


ITALIAN CULINARY ART

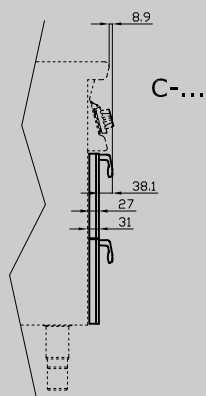
The pictures are purely representative. The manufacturer reserves the right to modify the technical data and models without previous notice.

C-66

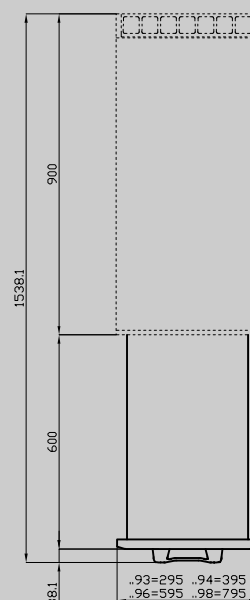
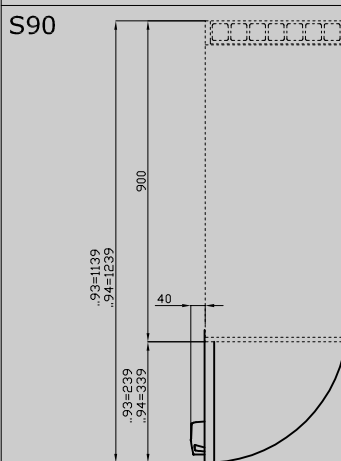
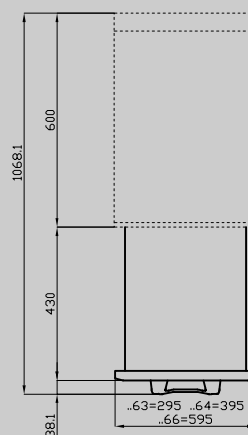
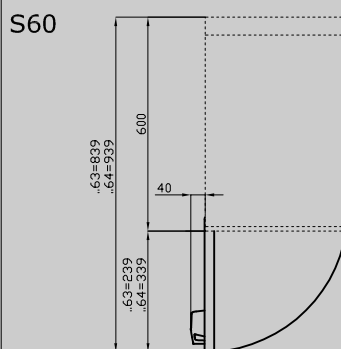
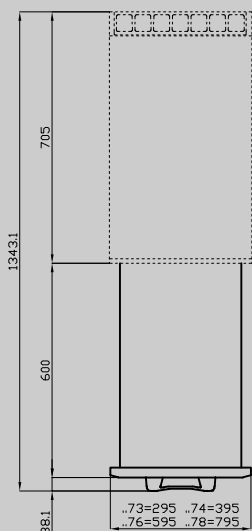
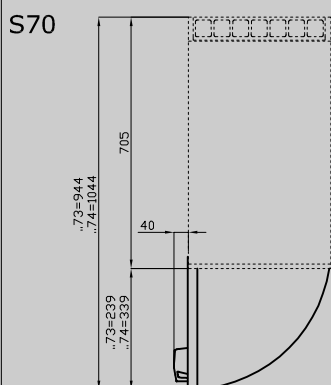
60 MAGICLOTUS ACCESSORIES



PM-...
P-...



C-...



A Data plate

MODEL:

C-66

DIMENSIONS:

cm. 59,5x 51x 47,5h



kg: 14
m³: 0.283
mm: 630x690x650

BUY LOTUS BUY ITALY

The pictures are purely representative. The manufacturer reserves the right to modify the technical data and models without previous notice.



LOTUS S.P.A. Via Calmaor, 46
31020 San Vendemiano (TV) - Italy
Tel. + 39 0438 778020 / 778468
Fax + 39 0438 778277
www.lotuscookers.it - lotus@lotuscookers.it