

PLA-68

60 MAGICLOTUS CORNER WORKTOP



Corner base with door



Construction - Fabricated using CrNi 18/10 AISI 304 grade Stainless Steel Scotch-Brite Satin polish Finish, incorporating 1mm thick worktop, rounded edges, chromed details and rear splash back. Model - Professional corner worktop on cabinet. Fittings - Adjustable feet.

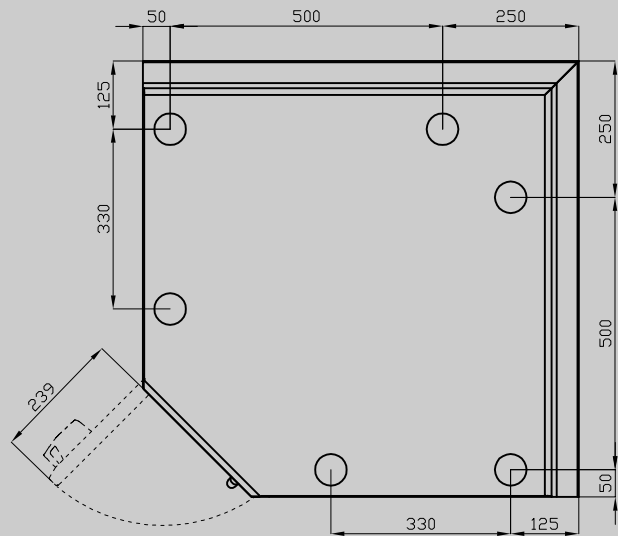
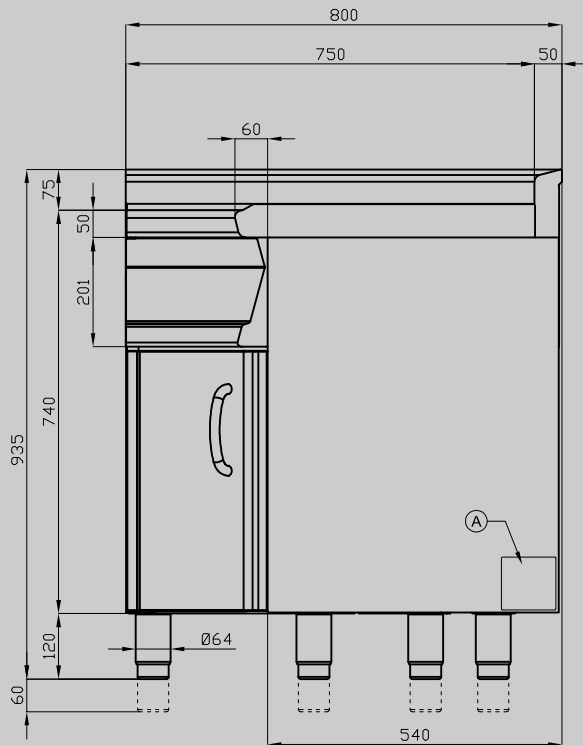


ITALIAN CULINARY ART

The pictures are purely representative. The manufacturer reserves the right to modify the technical data and models without previous notice.

PLA-68

60 MAGICLOTUS
CORNER WORKTOP



A	Data plate				
---	------------	--	--	--	--

MODEL: PLA-68
DIMENSIONS: cm.80÷80x 60x 90h



kg: 50
m³: 0.894
mm: 830x970x1110

BUY LOTUS BUY ITALY

The pictures are purely representative. The manufacturer reserves the right to modify the technical data and models without previous notice.



LOTUS S.P.A. Via Calmaor, 46
31020 San Vendemiano(TV) - Italy
Tel. + 39 0438 778020 / 778468
Fax + 39 0438 778277
www.lotuscookers.it - lotus@lotuscookers.it