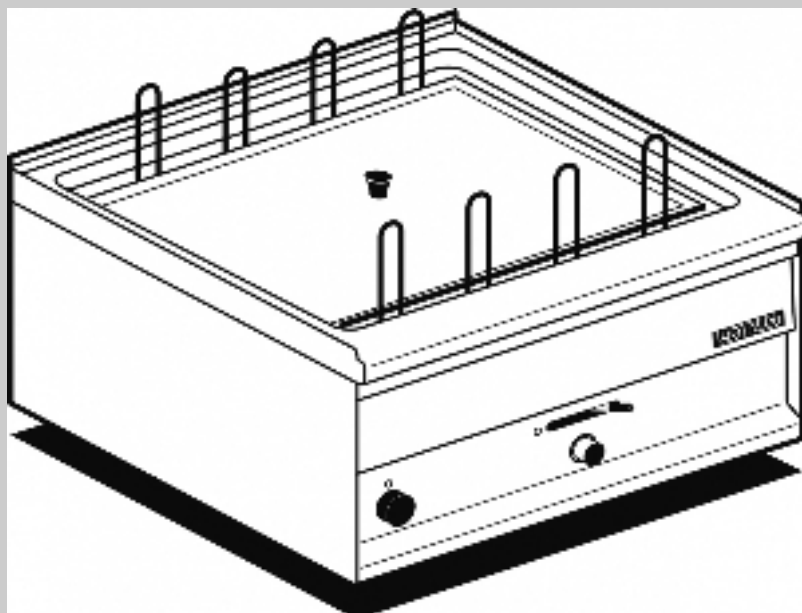


CP-2ET

50 SNACK

ELECTRIC PASTA COOKERS

Electric Pastacooker - Tank capacity 20 lts. -
N 8 baskets cm. 10x14x13,5h



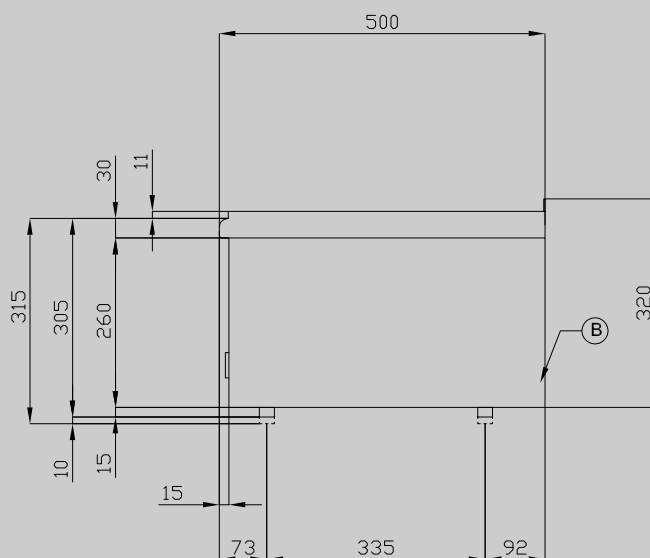
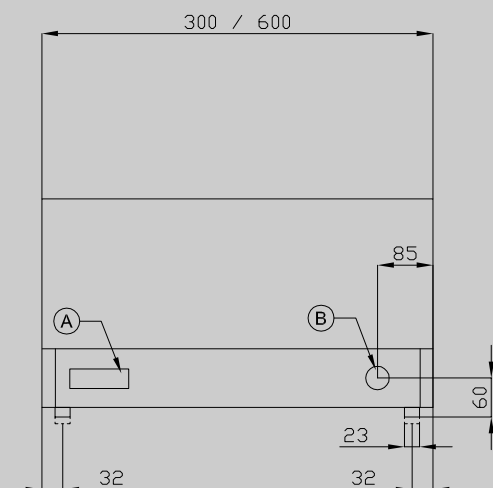
ITALIAN CULINARY ART

The pictures are purely representative. The manufacturer reserves the right to modify the technical data and models without previous notice.

CP-2ET

50 SNACK

ELECTRIC PASTA COOKERS



A	Data plate	B	Electrical connection
---	------------	---	-----------------------

MODEL: CP-2ET
DIMENSIONS: cm. 60x 50x 29h
ELECTRIC POWER: 6 kW
VOLTAGE: 400V~3N / 230V~3
FREQUENCY: 50/60 Hz



kg: 22
m³: 0.135
mm: 630x550x390

BUY LOTUS BUY ITALY

The pictures are purely representative. The manufacturer reserves the right to modify the technical data and models without previous notice.



LOTUS S.P.A. Via Calmaor, 46
31020 San Vendemiano(TV) - Italy
Tel. + 39 0438 778020 / 778468
Fax + 39 0438 778277
www.lotuscookers.it - lotus@lotuscookers.it