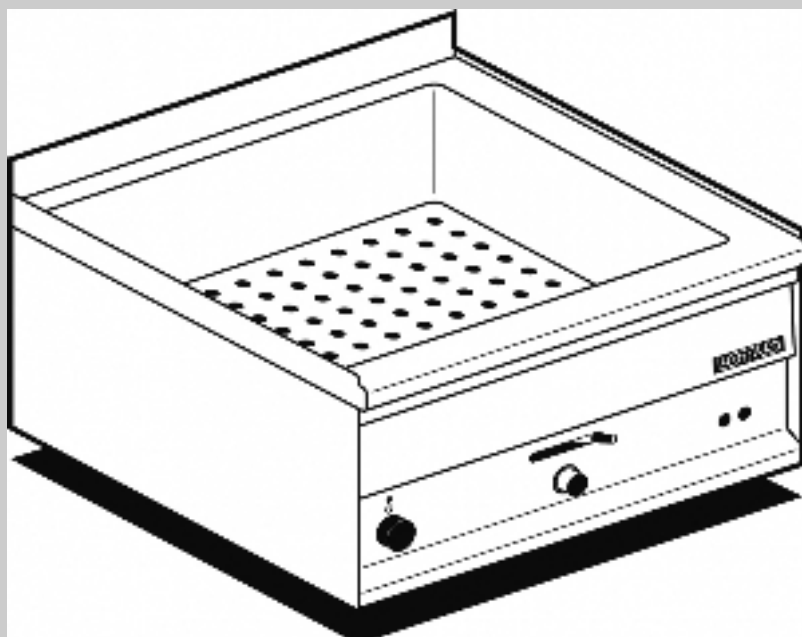


# BM-2EM

50 SNACK

ELECTRIC BAIN MARIE

Electric Bain-marie - Bowl for GN 1/1 cm.15h



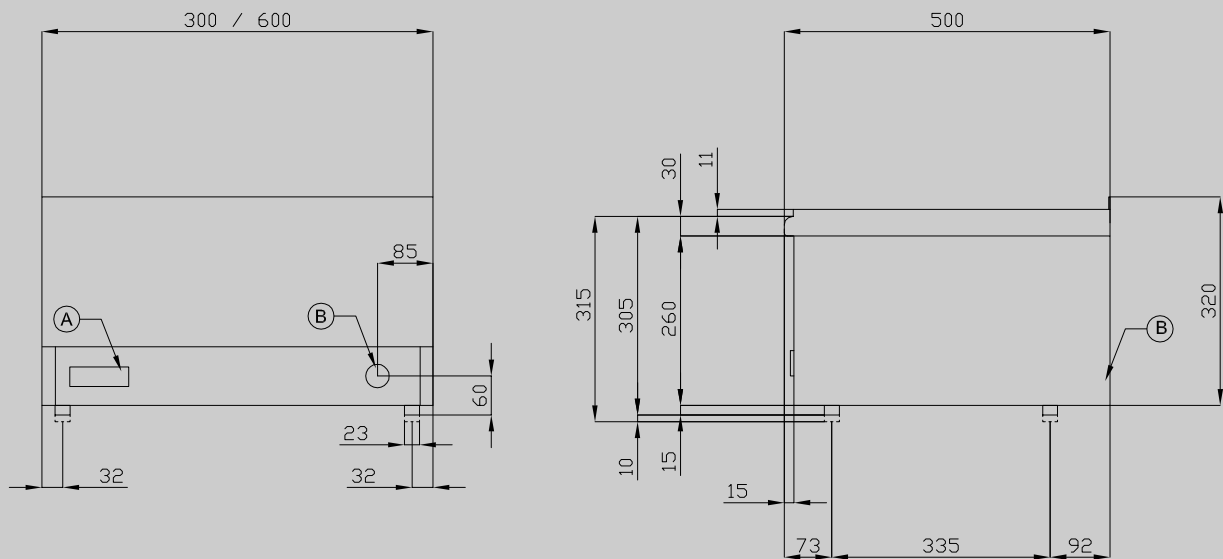
ITALIAN CULINARY ART

The pictures are purely representative. The manufacturer reserves the right to modify the technical data and models without previous notice.

# BM-2EM

50 SNACK

ELECTRIC BAIN MARIE



|   |            |   |                       |
|---|------------|---|-----------------------|
| A | Data plate | B | Electrical connection |
|---|------------|---|-----------------------|

MODEL: BM-2EM  
DIMENSIONS: cm. 60x 50x 29h  
ELECTRIC POWER: 1,66 kW  
VOLTAGE: 230V~  
FREQUENCY: 50/60 Hz



kg: 14  
m<sup>3</sup>: 0.135  
mm: 630x550x390

BUY LOTUS BUY ITALY

The pictures are purely representative. The manufacturer reserves the right to modify the technical data and models without previous notice.



LOTUS S.P.A. Via Calmaor, 46  
31020 San Vendemiano(TV) - Italy  
Tel. + 39 0438 778020 / 778468  
Fax + 39 0438 778277  
www.lotuscookers.it - lotus@lotuscookers.it