

RI-1EM

50 SNACK

ELECTRIC CHIP DUMP WITH INFRARED HEATER

Electric Infrared heater



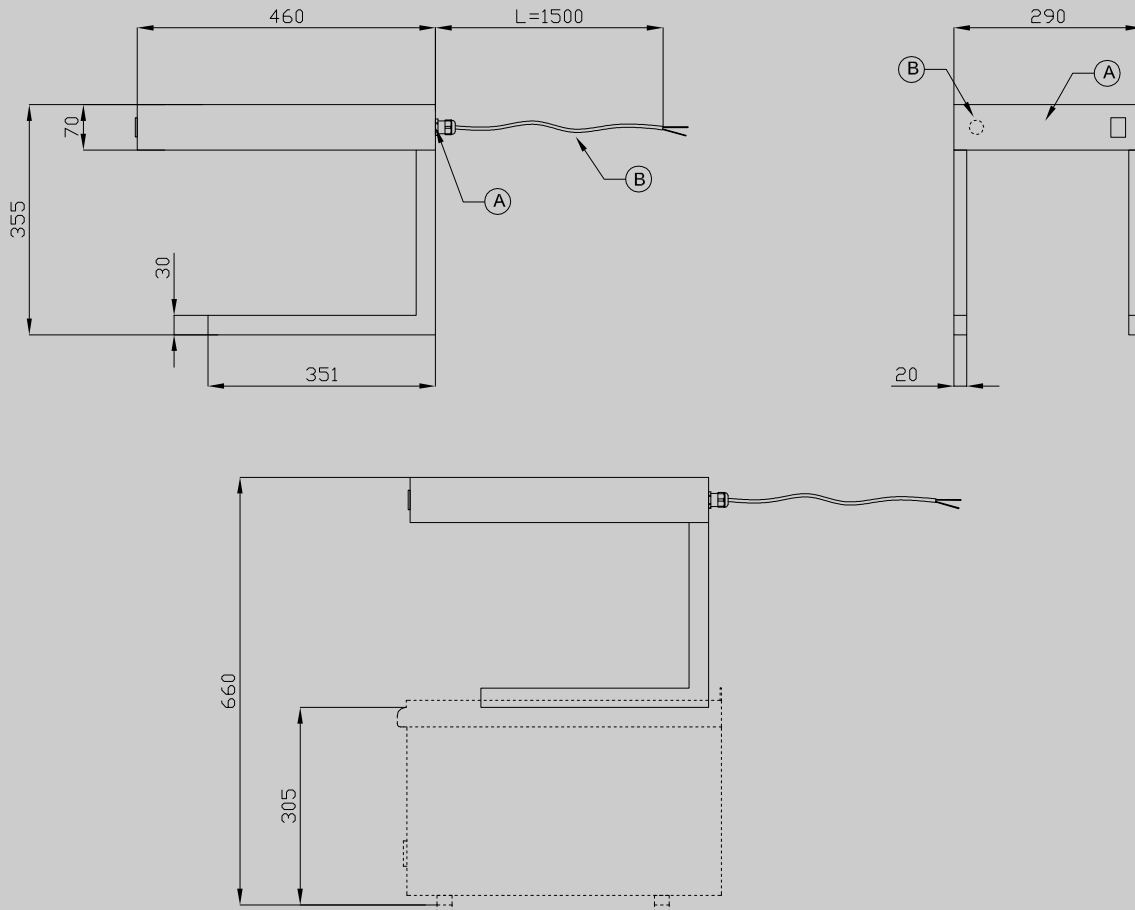
ITALIAN CULINARY ART

The pictures are purely representative. The manufacturer reserves the right to modify the technical data and models without previous notice.

RI-1EM

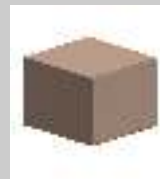
50 SNACK

ELECTRIC CHIP DUMP WITH INFRARED HEATER



A	Data plate		B	Electrical connection	
---	------------	--	---	-----------------------	--

MODEL: RI-1EM
DIMENSIONS: cm. 29x 46x 37h
ELECTRIC POWER: 0,32 kW
VOLTAGE: 230V~
FREQUENCY: 50/60 Hz



kg: 7
m³: 0.088
mm: 330x580x460

BUY LOTUS BUY ITALY

The pictures are purely representative. The manufacturer reserves the right to modify the technical data and models without previous notice.



LOTUS S.P.A. Via Calmaor, 46
31020 San Vendemiano (TV) - Italy
Tel. + 39 0438 778020 / 778468
Fax + 39 0438 778277
www.lotuscookers.it - lotus@lotuscookers.it